

## DRINK MIXERS

Roband milkshake mixers are the ideal machine for making perfect thickshakes or milkshakes every time. The Saturn beater produces extra fluffy shakes using minimal ingredients, time after time. Merging style, power and performance these mixers are a must for cafes and fast food outlets.

### FEATURES

- Powerful two-speed, 13,000 RPM motor
- Saturn beater for extra fluffy shakes, stainless steel beater also included for use with ice cream
- Separate two-speed on/off switch with protective cover
- Available in red, white and black
- Easy-clean base for cleaning spillage
- High performance stainless steel mixing spindle
- Takes standard 710 ml (24 fl .oz.) cups without tilting to remove
- Stainless steel cup included
- 'Hands free' operation when mixing cup is resting on the cup support

**DM21B****DM21W**

## DRINK MIXERS

### SPECIFICATIONS

MODEL	COLOUR	POWER Watts	CURRENT Amps
DM21W	White	150	0.7
DM21R	Red	150	0.7
DM21B	Black	150	0.7

Stainless steel beater for use with ice cream



Saturn beater for extra fluffy shakes



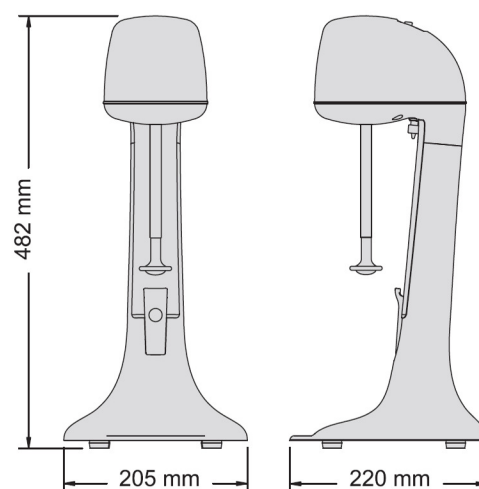
Easy-clean base for cleaning spillage



Two-speed on/off switch with protective cover



**DM21R**



Distributed by:  
**NOAW srl**

via Colombera 27, 21048 Solbiate Arno VA - Italy  
Tel. +39.0331.219723 - Fax +39.0331.219723 - e-mail: noaw@noaw.it  
www.noaw.it - www.noawsrl.com